

Jedno- a třífázové elektroměry na přímé měření

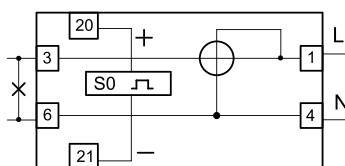
TRACON		Un	Ib (Imax)		imp/kWh S0		mm ²	
TV0F11	DIRECT → kWh	LCD	230 V AC	5 (40) A	20 mA – 40 A	2.000	1 10 6	84 g
TV0F12	DIRECT → kWh	LCD	230 V AC	10 (60) A	40 mA – 60 A	500	1 25 16	157 g
TV0F14	DIRECT → kWh	LCD	230 V AC	10 (100) A	40 mA – 100 A	1.600	1 50 35	236 g
TV0F14MOD*	DIRECT → kWh	LCD	230 V AC	10 (100) A	40 mA – 100 A	1.600	1 50 35	282 g
TV0F1M4	DIRECT → kWh	LCD	230 V AC	10 (100) A	40 mA – 100 A	1.600	1 50 35	284 g
TV0F37	DIRECT → kWh	LCD	3×230/400 V AC	10 (100) A	40 mA – 100 A	400	1 50 35	455 g
TV0F37MOD*	DIRECT → kWh	LCD	3×230/400 V AC	10 (100) A	40 mA – 100 A	400	1 50 35	455 g
TV0F3M7	DIRECT → kWh	LCD	3×230/400 V AC	10 (100) A	40 mA – 100 A	400	1 50 35	472 g

* MODBUS výstup

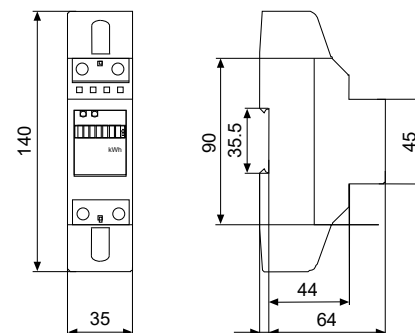


TV0F11

TV0F12

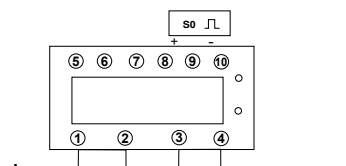


TV0F11, TV0F12

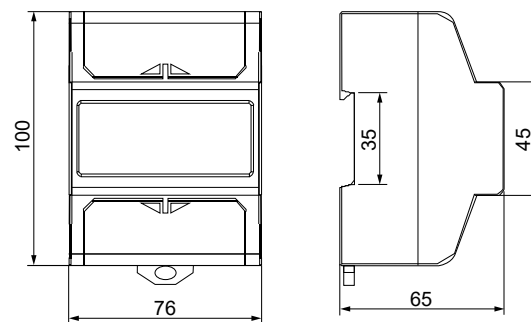


TV0F1M4

TV0F14

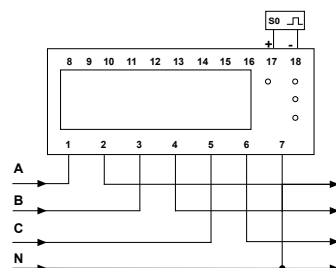


TV0F1M4, TV0F14

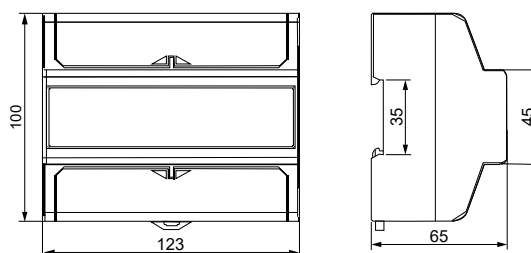


TV0F3M7

TV0F37



TV0F37, TV0F3M7



imp/kWh
S0

Un

min. 12 V, max. 27 V

Limp

>30 ms

In

max. 27 mA

RELEVANT STANDARD
EN 62053

RELEVANT STANDARD
IEC 61036